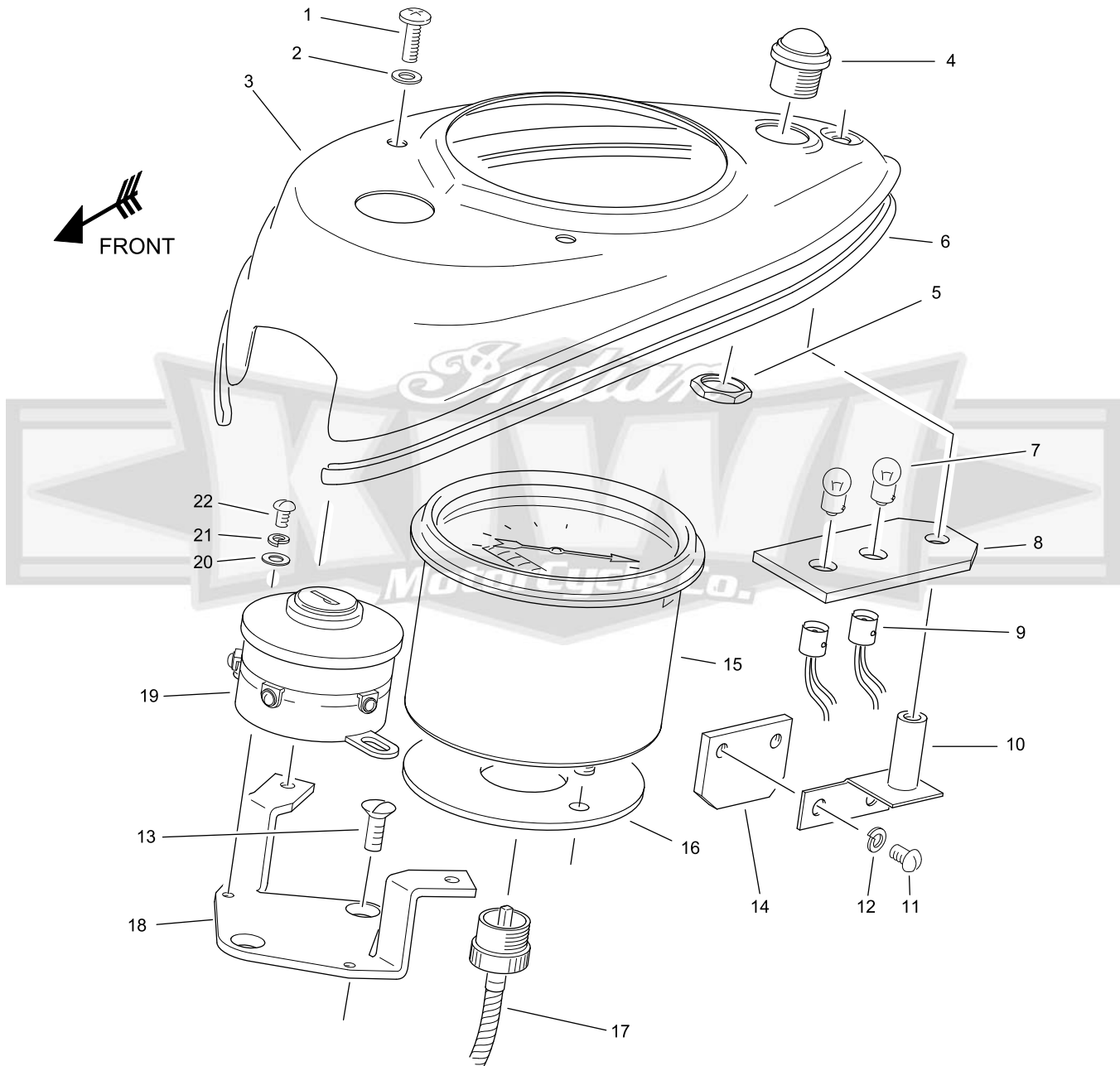


# 1948-51 INSTRUMENT PANEL



## INSTRUMENT PANEL 1948-1951 PARTS

REF.	PART NO.	DESCRIPTION	QTY.	YEAR
1	757002K	Panel Mounting Screw Kit (stainless steel - set of 3) <i>NOTE: We supply these in the correct head style (not regular philips head screws)</i>	1	48-53
2	757002W	Non-Marking Washer Kit (set of 3) <i>NOTE: While these non-marking washers were not originally used they are are great idea to eliminate marks on the chrome made by the mounting screw heads.</i>	1	48-53
3	629004	Instrument Panel - Steel (chrome finish)	1	48-53
4	545007	Lens - Generator Warning Lamp (includes ref. 5)	1	48-53
5	—	Nut - Hex.	1	48-53
6	832002	Strip - Rubber	1	48-53
7	243004	Bulb - Generator Warning Lamp & Speedometer 6 Volt	1	48-53
*	243004V	Bulb - Generator Warning Lamp & Speedometer 12 Volt	1	48-53
8	628005	Pad - Bulb Socket Mounting	1	48-53
9	799005	Socket - Bulb (generator warning lamp & speedometer)	1	48-53
10	237038	Mounting Bracket - Rear	1	48-53
11	—	Screw - Round Hd. #10-32 x 1/4"	2	48-53
12	—	Lock Washer - #10	2	48-53
13	—	Screw - Flat Hd. 1/4-20 x 1/2"	2	48-53
*	750607K	Mounting Bracket Screw Kit (includes 2 ea. ref. 11-13)	1	48-53
14	KI-10905	Plate - Rear Mounting Bracket (welds to frame)	1	48-53
15	804010	Speedometer - Kiwi (Stewart Warner replacement - includes ref. 16) <i>NOTE: Our replacement speedometer incorporates heavy duty internal components, the original arrowhead pointer design, the correct nickel colored face and a female speedo cable fitting. Do Not confuse our product with the with inexpensive Chinese imports that are commonly found on the market.</i>	1	48-51
*	196008	Bezel - Speedometer (chrome finish)	1	48-51
*	545008	Glass - Speedometer	1	48-51
*	455016	Gasket - Speedometer Glass	1	48-51
*	804010F	Plate - Speedometer Face	1	48-51
16	KI 11502	Shock Pad - Speedometer <i>NOTE: DO NOT fasten the speedometer to the frame as was done originally or premature failure of the speedometer will result. An Indian Service Bulletin was issued by the factory to use the shock pad as shown under the speedometer and capture the top of the speedometer with the instrument panel.</i>	1	38-53
17	277005	Speedometer Cable (for original Stewart Warner speedometers)	1	48
*	1277001	Speedometer Cable (for original Stewart Warner speedometers)	1	50-51
*	314016	Clip - Speedometer Cable (at left front fuel tank bolt)	1	48-51
*	36B332	Clip - Speedometer Cable (at front fender)	1	48-51
18	237034	Mounting Bracket - Front	1	48-53
19	1841002	Ignition Switch (distributor ignition)	1	41-53
*	841002	Ignition Switch (magneto ignition)	1	41-53
20	—	Flat Washer - #8	2	48-53
21	—	Lock Washer - #8	2	48-53
22	—	Screw - Round Hd. - #8-32 x 3/8"	2	48-53

\*Not Illustrated